

vilo

SPC VINYL FLOORING

Installation instructions

General guidelines for tiles.

BEFORE INSTALLATION

VISUAL INSPECTION

Before installation, ensure that the product has been inspected for damage, defects or alterations. Check that the colours correspond to those ordered, that the quantities are correct and that there is no visible damage to the boxes. Check the VILO floor tiles for visible defects during installation. Do not install tiles that show any imperfections. We recommend that you always use materials from one production batch for each installation, as we cannot guarantee shade matching between different batches. Please note that some patterns may undergo natural variations. We also recommend mixing tiles within a single pack or between packs.

General guidelines for VILO floor tiles.

SUITABILITY FOR INSTALLATION

- VILO floor tiles can be laid on concrete, cement screed, anhydrite (calcium sulphate), wood, plywood, chipboard and ceramic tiles that are reasonably flat and smooth or have been suitably prepared (see Surface preparation).
- VILO floor tiles can be used in conjunction with suitable underfloor heating and cooling systems. Electrical systems, including infra-red systems, are not recommended unless the system's cables are immersed in a suitable levelling compound with a minimum thickness of 9 mm. Direct contact with electrical heating systems should be avoided. The surface temperature must never exceed 27 °C. If in doubt, seek professional advice.
- VILO tiles are only suitable for indoor installation.
- Seasonal thermal conditions: VILO tiles can be used in most temperature-controlled locations such as conservatories and summer houses. The temperature should be maintained between 6 °C (min.) and 35 °C (max.).
- Once assembled, the joints of the Vilo tiles are waterproof. Following the installation instructions will make the floor suitable for use in bathrooms (including showers with a linear drain), kitchens, laundry rooms and entrance areas. We do not recommend installing the tiles in humid areas, e.g. in or around swimming pools or saunas.

COMPOSITION, STRUCTURE AND SURFACE QUALITY

Knowing the composition and construction of the underlying surface or base provides valuable information to correctly check the permissible moisture content, compressive and tensile strength of the base surface. In addition, it indicates how to prepare the floor, the type of levelling compound or putty and any moisture barrier that may be needed during the installation process. In case of ambiguity or doubt as to the quality or composition of the base surface, please contact the manufacturer or supplier of the levelling compound or putty.

NATIONAL REGULATIONS AND STANDARDS

Site conditions should always comply with the relevant national regulations and standards for installation.

Surface preparation.

SURFACE IRREGULARITIES

Proper preparation of the surface will ensure a trouble-free installation. This is essential for a perfect finish of the VILO tiles. The appearance of the VILO tiles will only be as good as the quality of the surface on which they are installed. Although VILO floor tiles are perfectly suitable for renovating even those surfaces, which are not fully level, some major irregularities, bumps, and sudden changes in the level of the surface can also appear on the finished floor. Proper preparation before installation is essential.

The base surface must be hard, firm, relatively flat, clean and dry, free from irregularities and defects, and suitable for the intended purpose. If necessary, old adhesive residue and loose or unbound levelling compound should be scraped away and removed. Ensure that the surface is free from chemicals and other contaminants.

The unevenness of the surface must not exceed 2 mm over a length of up to 1 m, and must be measured using a ruler or spirit level. VILO floor tiles are able to cover joints, seams and cracks of up to 10 mm in the base surface.

Suitable plywood or levelling compound must be selected to prevent the sudden appearance of unevenness on the surface of the finished floor. However, the selection of suitable materials, including plywood, putty or levelling compounds and any ancillary products, depends on the practical use of the area and should be agreed between the supplier of the preparation materials and the flooring contractor. All materials used in floor preparation should be used in accordance with the manufacturer's recommendations and in accordance with national standards for resilient floor coverings.

SURFACE MOISTURE CONTENT

VILO floor tiles are moisture resistant, but best practice must be implemented to avoid the growth of bacteria and mould under the floor covering:

Concrete and stone surfaces laid directly on the ground should be fitted with an effective, moisture-resistant membrane (DPM), in accordance with national standards for resilient floor coverings. If necessary, follow the manufacturer's detailed guidelines for the installation of the applied DPM surface and the use of levelling compound.

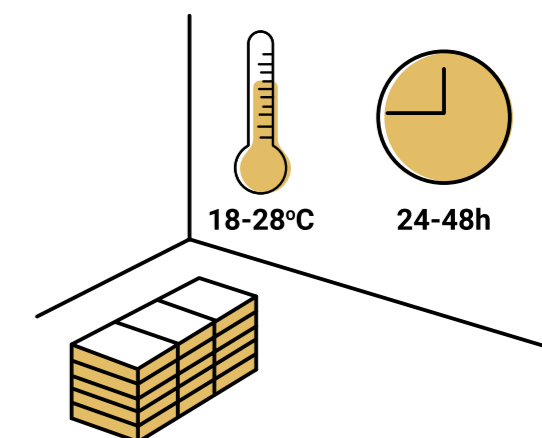
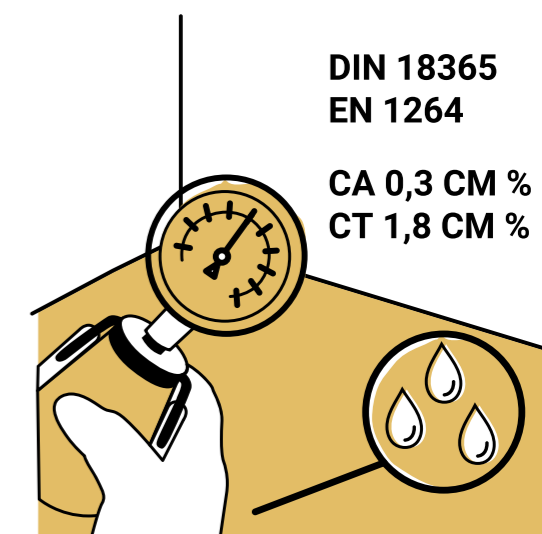
The moisture content of the underlying surface should be in accordance with local or national standards for the installation of resilient floor coverings. If in doubt, seek further professional advice.

Important: Floor installation should not begin until the installer has assessed and accepted the underlying surface and installation conditions.

ACCLIMATING

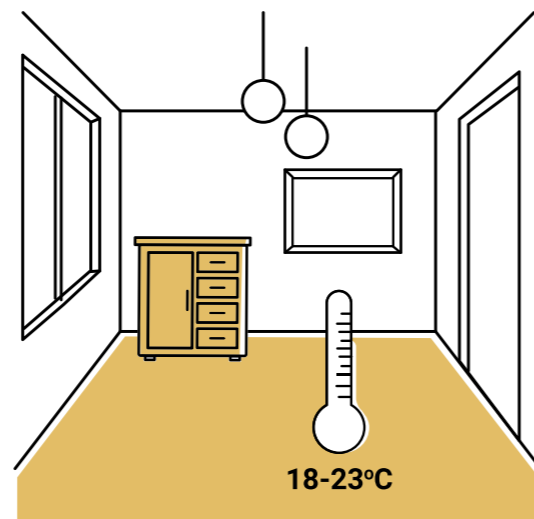
VILO floor tiles require acclimating before installation in rooms and standard conditions for 24-48 h if the ambient temperature is below 15 °C. The optimal installation temperature is 18-28 °C.

Unpack the VILO floor tiles and inspect them in daylight for any defects or discrepancies in colour. In case of the defects that are visible prior to installation, the Manufacturer shall never be liable for the costs related to laying the tiles or their transportation.



TEMPERATURE BEFORE AND DURING INSTALLATION

The standard installation instructions apply for standard rooms and conditions, see the note at the end of this document (*).



UNDERFLOOR HEATING

VILO floor tiles can be used with conventional water-based underfloor heating and cooling systems. The use of electrical systems is not recommended unless the manufacturer or installer of the system guarantees that the surface temperature will not exceed 27 °C, the temperature rise will be gradual or progressive and the temperature will not rise suddenly or immediately

Note: Infra-red-based electrical systems require special attention, they heat up immediately and can transfer heat to very specific parts or layers of the floor covering, leading to unpredictable behaviour associated with a potential fire risk. If in doubt, seek further professional advice.

UNDERFLOOR COOLING

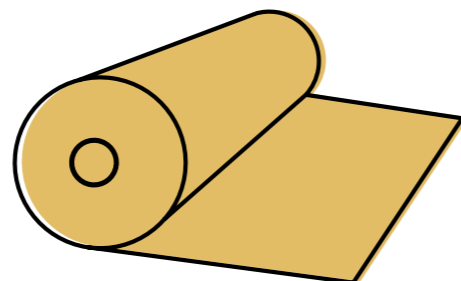
VILO floor tiles can also be installed on underfloor cooling systems. However, the supply temperature of the cooling water must not fall below the dew point temperature. A temperature below this point will cause condensation and may accumulate moisture under the floor covering, which may promote the growth of mould etc.

RECOMMENDED UNDERLAY

Recommended underlay for VILO floors:

VILO RIGID MASTER 1,0 mm - where there is no underfloor heating.

VILO ALU MULTI FORCE 1,5 mm - with a water-based underfloor heating system.



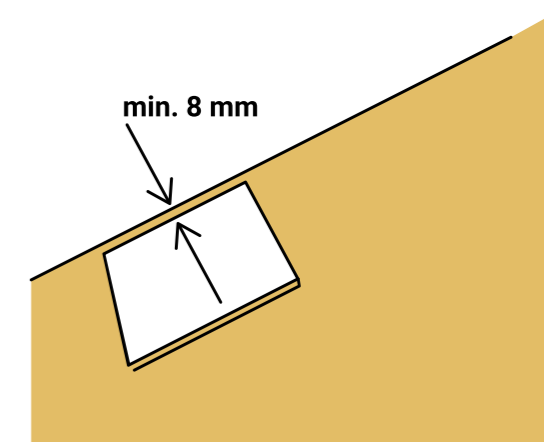
Start of installation.

EXPANSION GAP REQUIRED

- VILO floor tiles form a 'floating' floor. The floor tiles can be glued to the underlying surface. (Use adhesive for vinyl flooring).
- An expansion gap of 8 mm should be provided in each direction and taken into account along the perimeter of the room.

There is no need for THRESHOLD expansion joints for row lengths of up to 15 lm.

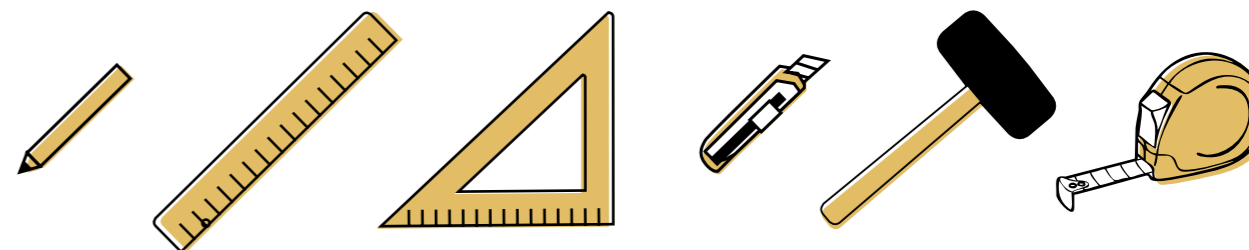
In the case of fitted skirting boards which should not be removed, it is possible to cut off the lower part of the skirting board with a specialised trimming tool available on the market.



Step-by-step installation of VILO floor tiles.

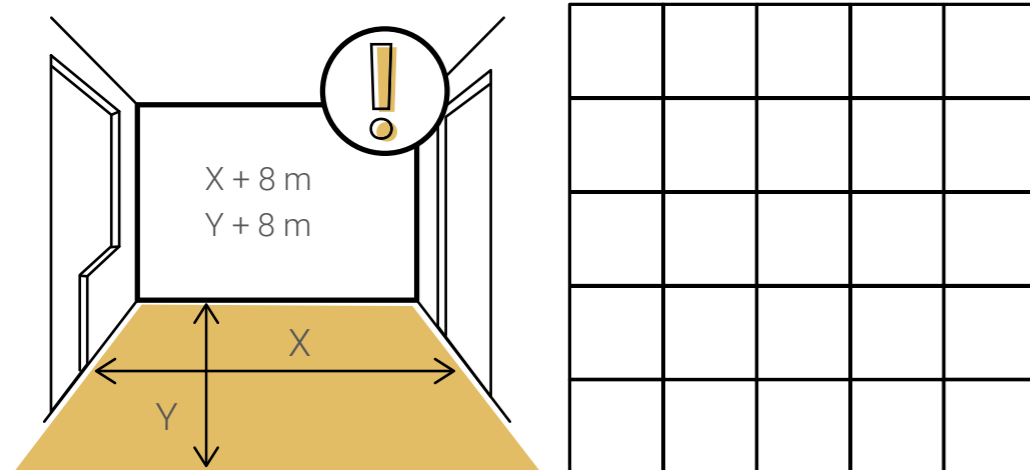
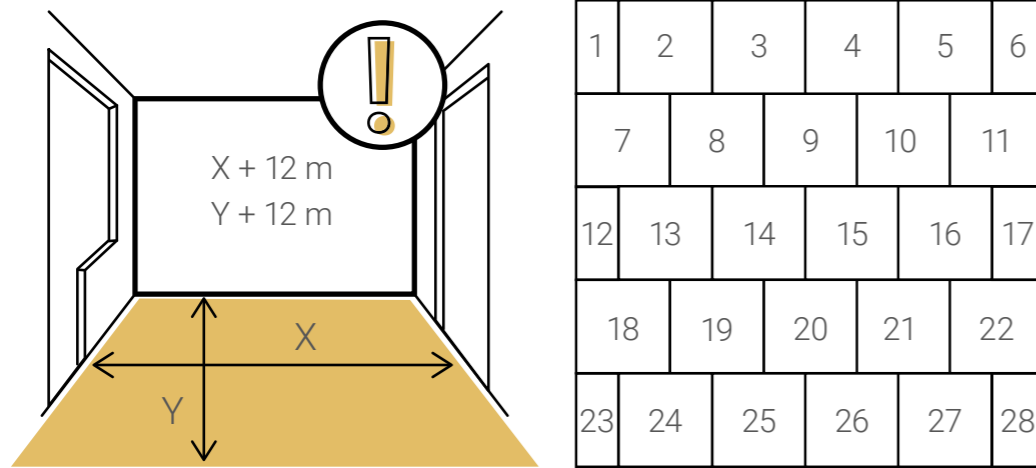
RECOMMENDED TOOLS:

Measuring tape, pencil, ruler or chalk line, set square, tapping block, sturdy tool knife, nylon or rubber hammer, shims for setting first rows straight on an uneven wall.

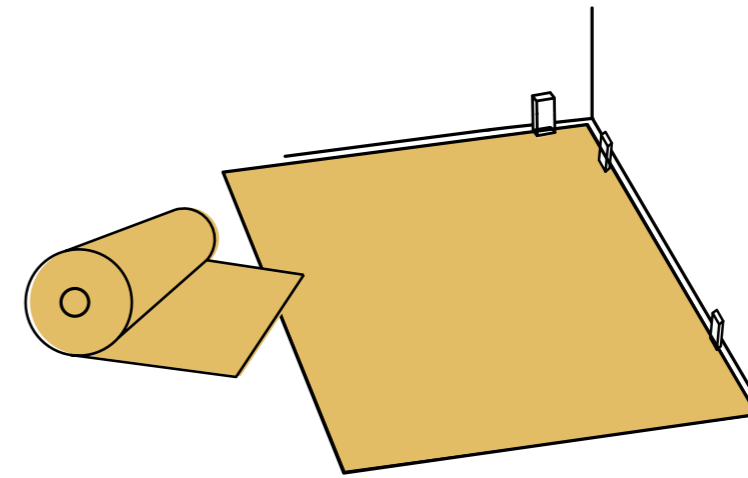


Installation

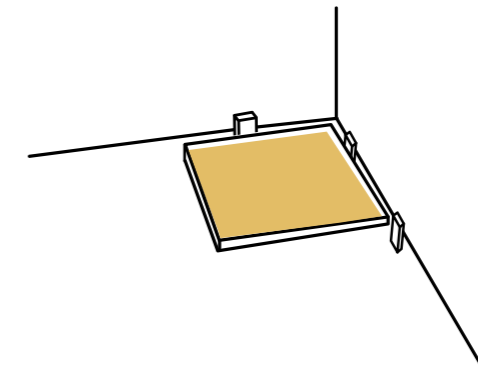
- 1** 1. ESTABLISH, STAGGER AND ALIGN
Installation should take place at room temperature (18-23 °C). Before installation, the floor should acclimatize in the room for 24 hours. Products should be staggered in a brickbond pattern, stagger the floor equal to half of a tile. Tools needed: planks, underlayment, spacers, soft-faced hammer.



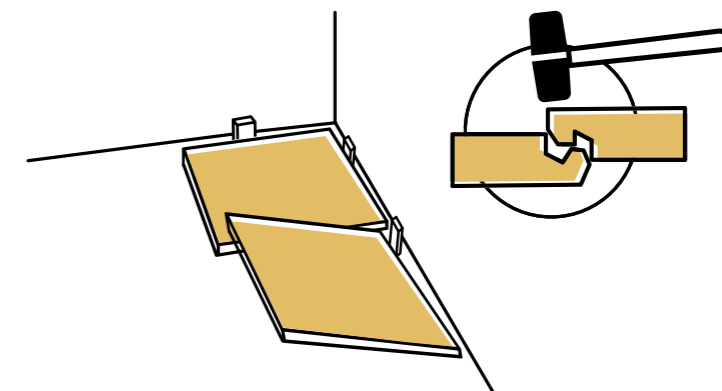
- 2** PREPARE FLOOR
In the case of an uneven floor, place an underlay. Set spacers of equal thickness, appropriately distanced, for the required expansion gap 8 mm.



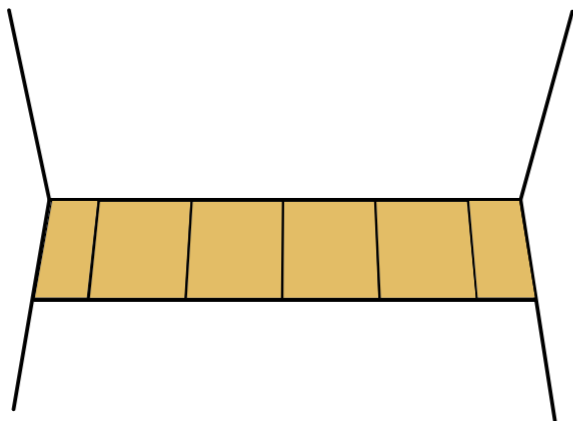
- 3** INSTALL 1st TILE
It is very important that the first row is installed straight. To ensure this, installation alternates back and forth between rows one and two, for the first two rows only. Start with a half tile (1) and position this tile close to the wall.



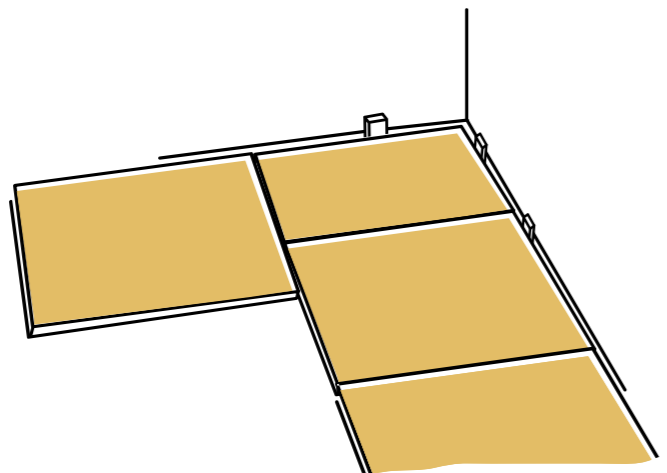
- 4** INSTALL 2nd TILE
Now select tile (2). Using the Click4U angle system, angle side of tile 2 onto the side of tile 1. Drop tile 2 to lock. Make sure there are no gaps.



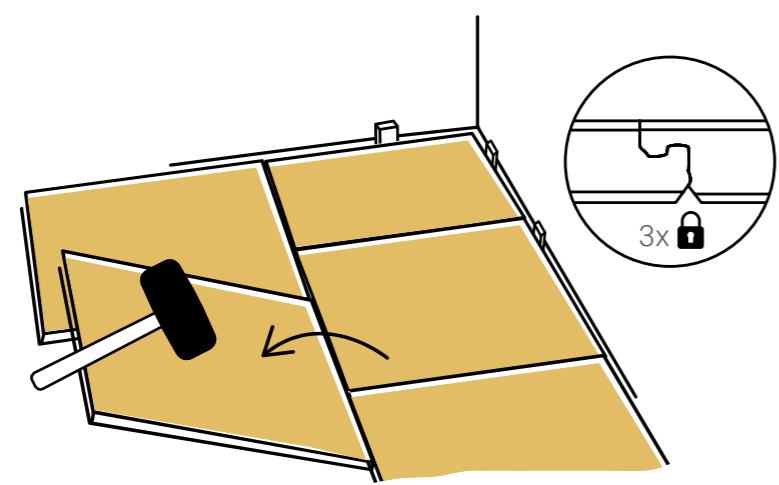
5 ENGAGE 3rd TILE
Take another tile (3). Repeating the previous step, insert the side of tile 3 into the side of tile 2. Then slide tile 3 to your left until the side is in contact with the side of tile 1.



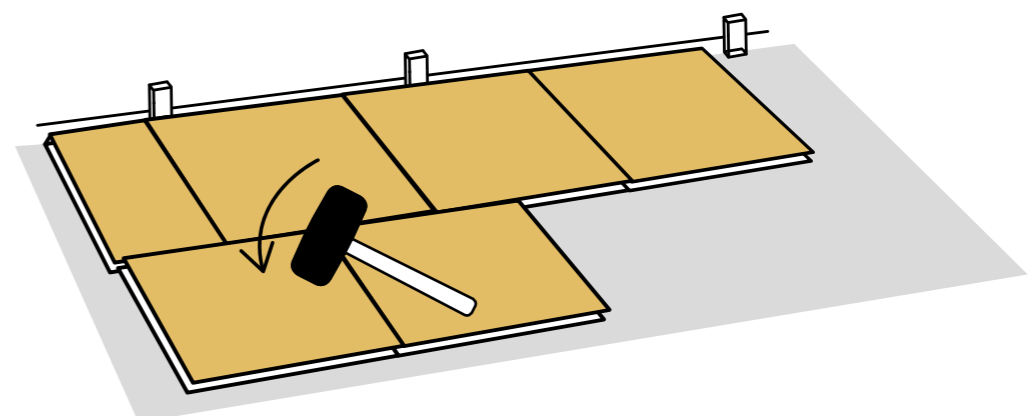
6 ENGAGE 3rd TILE (Part I)
Using the 3L TripleLock one piece drop-lock system, drop the side of plank 3 onto the side of plank 1.



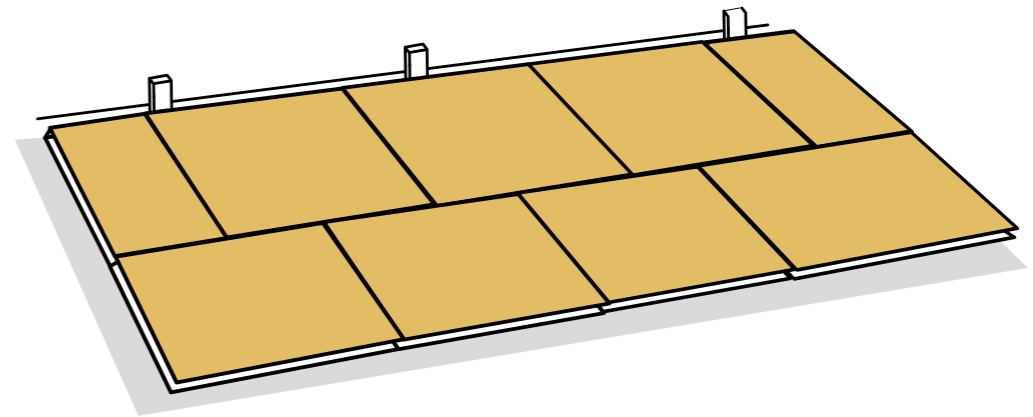
7 ENGAGE 3rd TILE (Part II)
Using a soft rubber mallet slightly tap the joints on the side to secure. This ensures 3x locking.



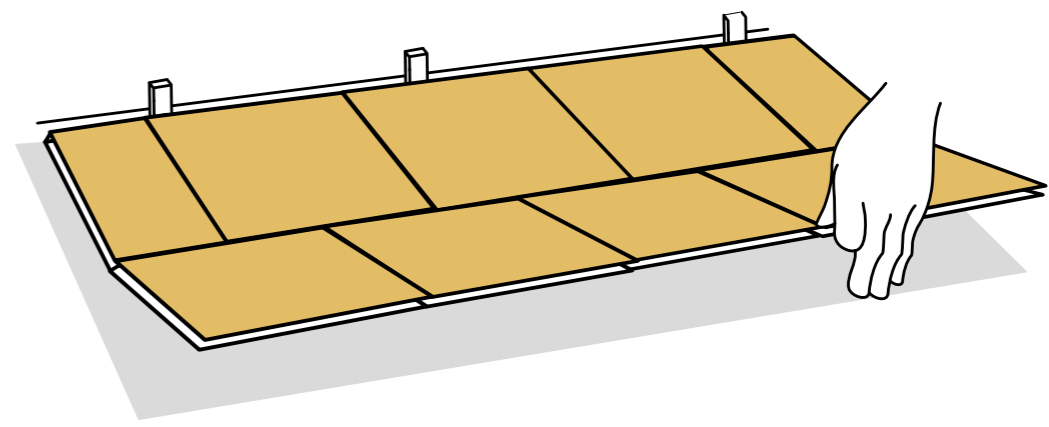
8 SECURING PLANKS
As you go, don't forget to use a soft rubber mallet on the sides to secure the locking.



9 FINALIZE FLOOR
Finished? Remove spacers and cover gaps with a skirting boards.



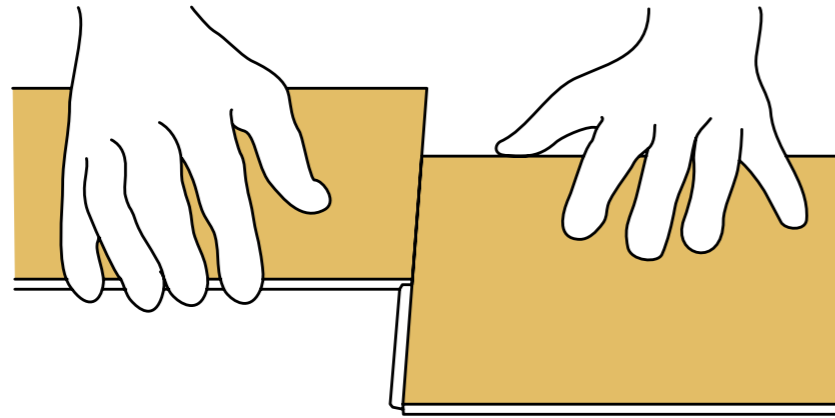
10 DISASSEMBLING
Lift up the entire row at the same angle as you did during installation, then slide the rows apart.



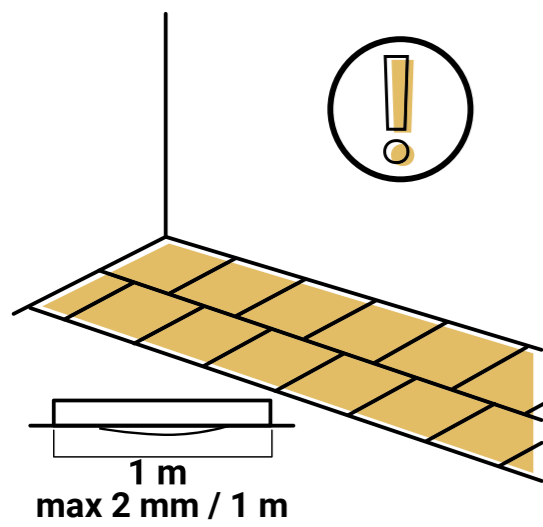
11

DISASSEMBLING

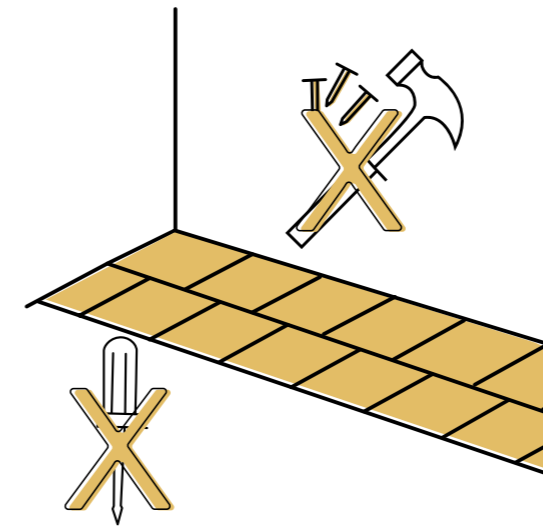
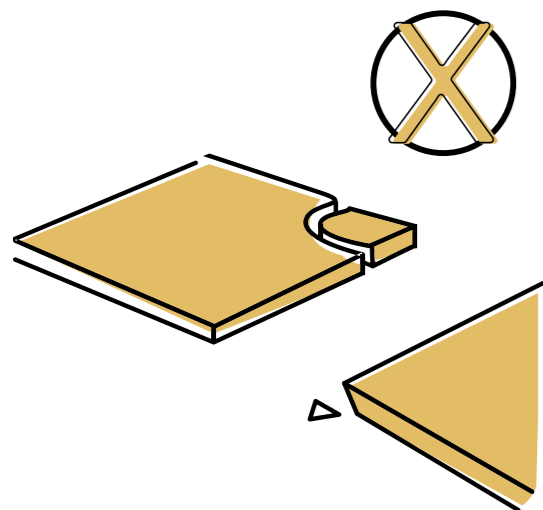
Disassemble the row by sliding apart the planks on the side.



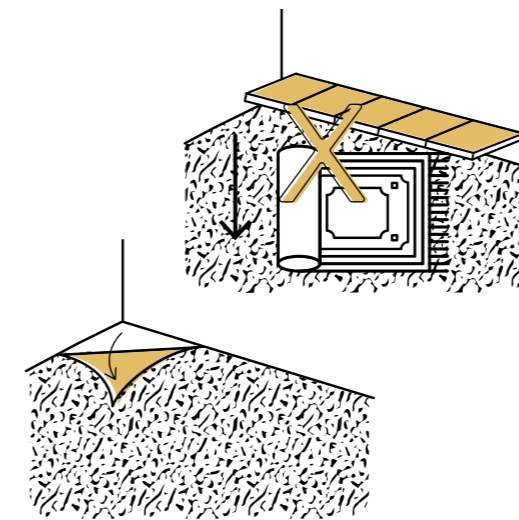
Any irregularities over 1 m² should be filled and levelled.



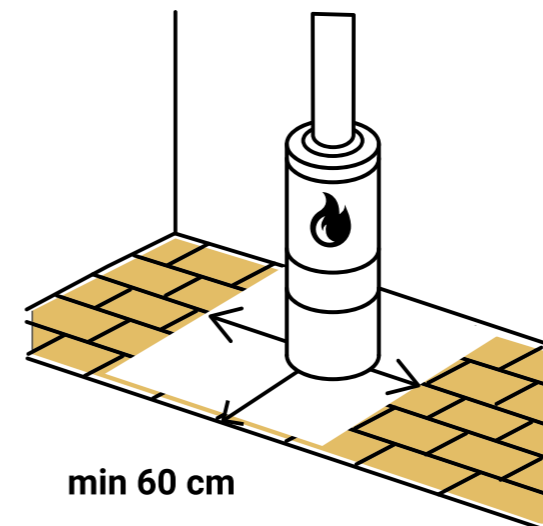
Do not install damaged tiles.



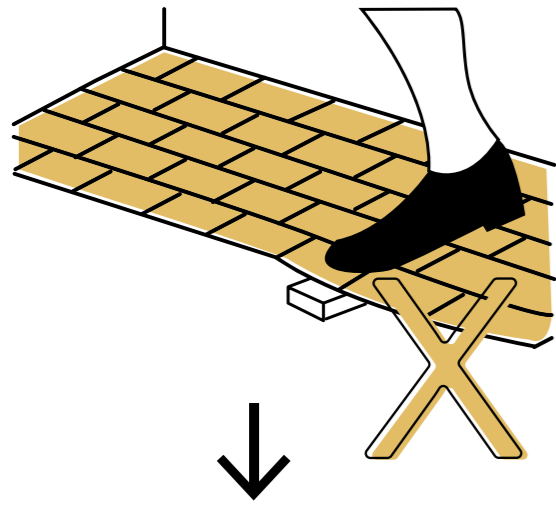
Do not use metal tools/nails/screws for the installation.



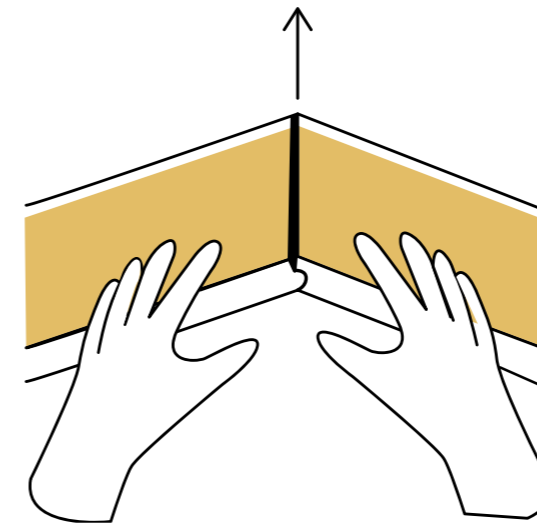
Do not install on carpets or rugs – any soft carpets that have been glued should be removed.



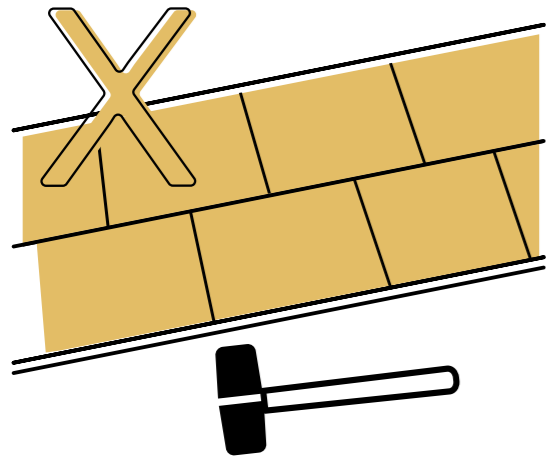
When installed next to stoves/fireplaces, the minimum distance for VILO floors is 60 cm.



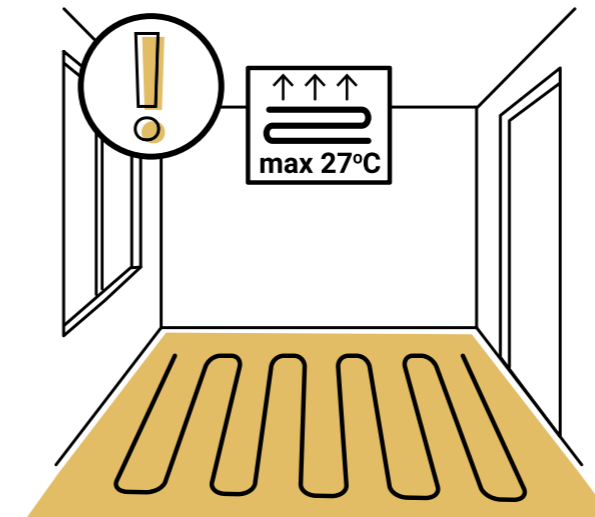
During installation, care must be taken to ensure that no foreign elements get under the tiles.



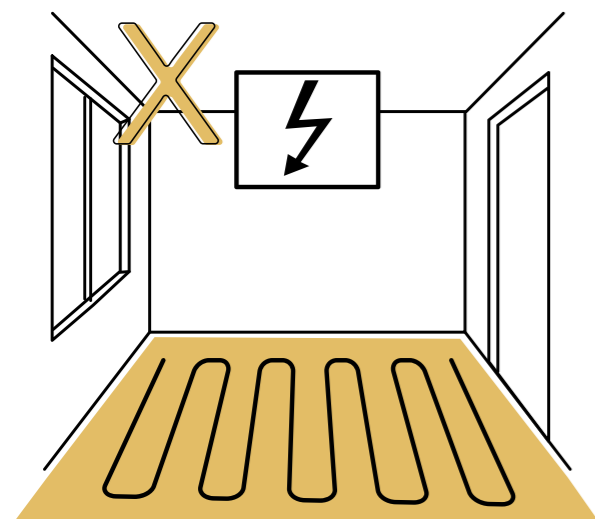
Disassemble tiles by pulling out one tile.



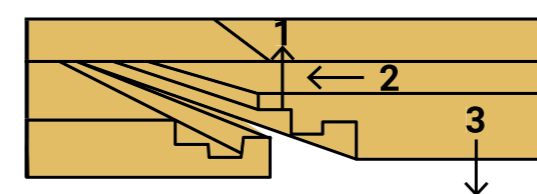
Do not tap the tiles directly with a hammer – tap using a block of wood.



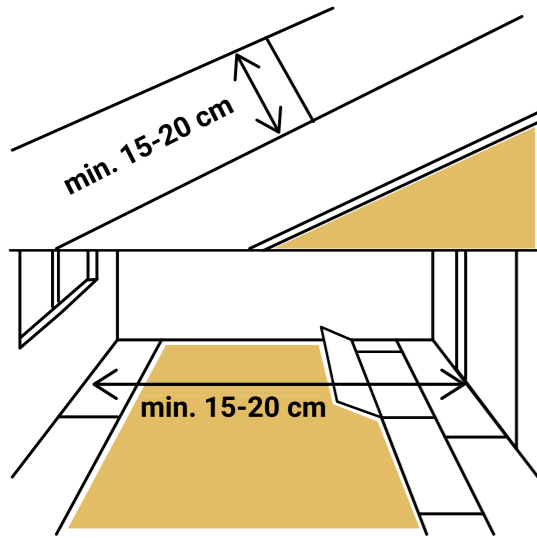
The maximum temperature of the heating system water is 27 °C.



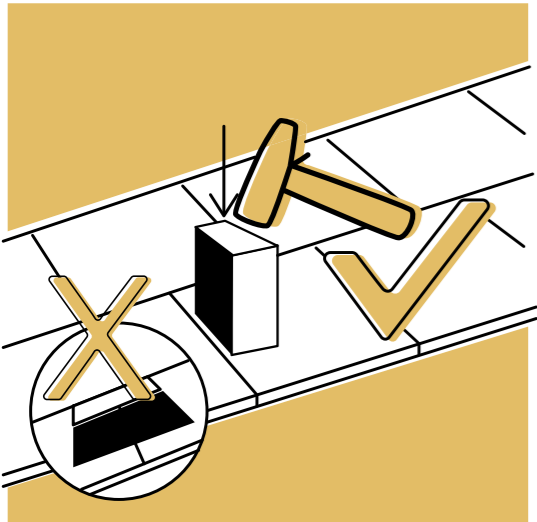
The use of electric heating systems is not recommended.



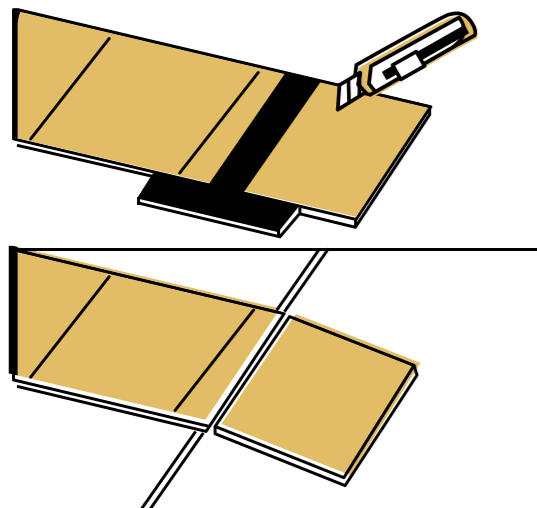
The VILO STONE floor is fitted with an I4F waterproof lock – one side is click-locked, the other is tapped from above.



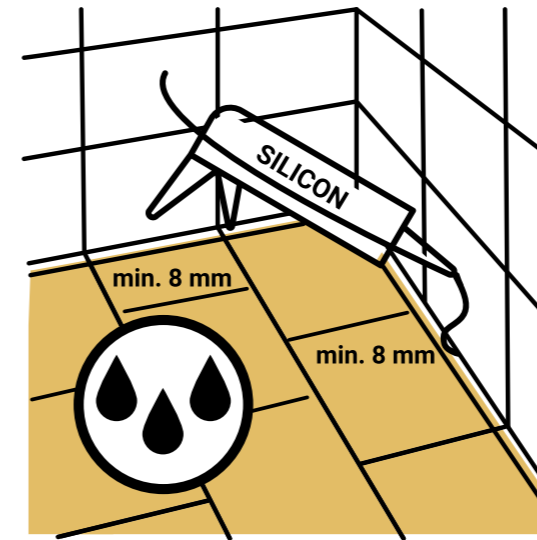
Cut sections of tiles laid against a wall should not be less than 15-20 cm.



Tap the tiles with a wooden block. Do not hit the tile directly with tools.



A knife can be used to cut the tiles.



When gluing the floor, fill the gaps between the tile and the wall with silicone – this will guarantee a waterproof surface.

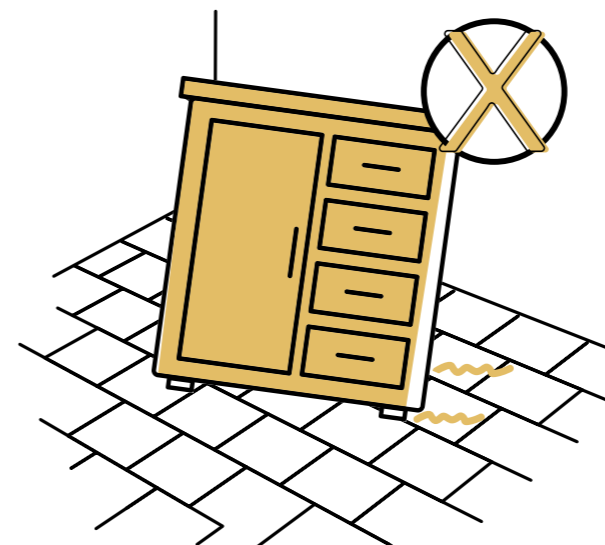
Floor maintenance.

EXPANSION GAP REQUIRED

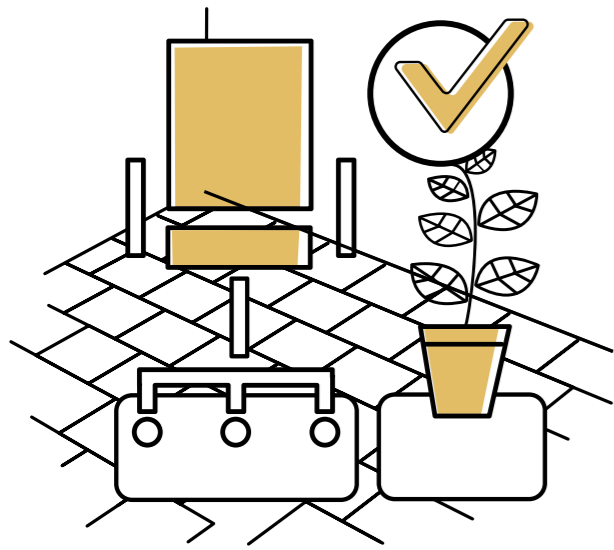
Proper maintenance procedures will help maintain the appearance and extend the life of the VILO floor. The frequency of maintenance will depend on the volume and type of traffic, degree of dirt, colour and type of flooring.

Important:

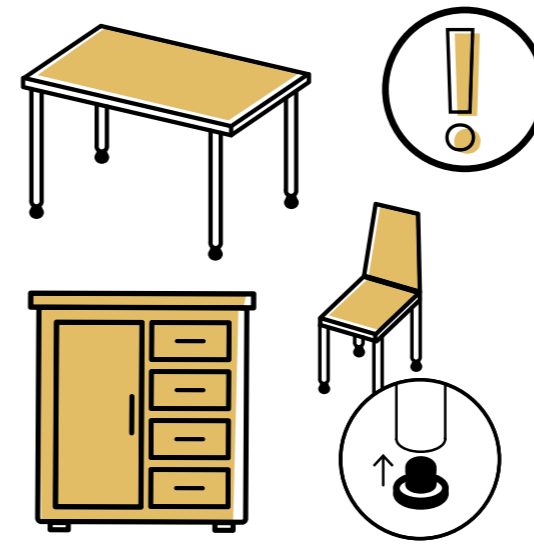
- Almost all floors will change their colour over time due to UV radiation. This should be prevented by using curtains or solar screens when the sun is very bright.
- Rubber or latex mats, furniture feet, etc., should be avoided, as they may leave stains. Rubber and latex wheels or washers under furniture also must not be used (we recommend the use of 'W' type wheels, in accordance with the EN 12529 standard.)
- Protect floors from scratches caused by furniture feet using wide, freely moving wheels, skids, rollers or felt pads. To prevent indentations, place furniture pads under heavy objects or appliances.
- Mechanical damage to the floor covering caused by heavy overloads, moving furniture or objects is not covered by the warranty.
- Do not allow cigarettes, matches or other heated objects to come into contact with flooring, as this will cause permanent damage.



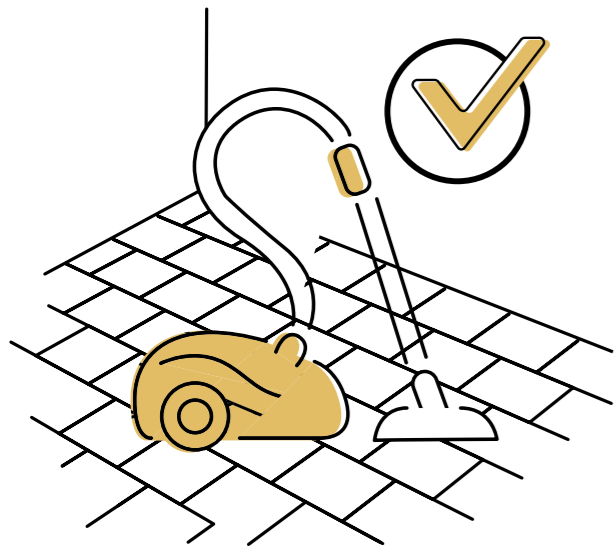
Do not move heavy furniture across the floor.



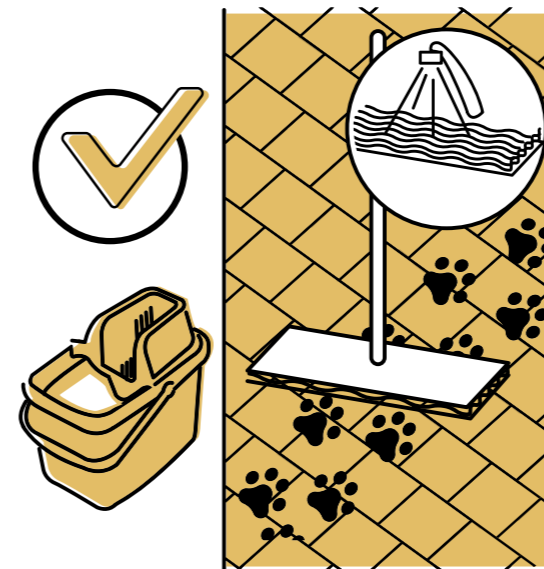
Use mats under chairs with castors and flower pots.



Protect furniture legs with felt pads.



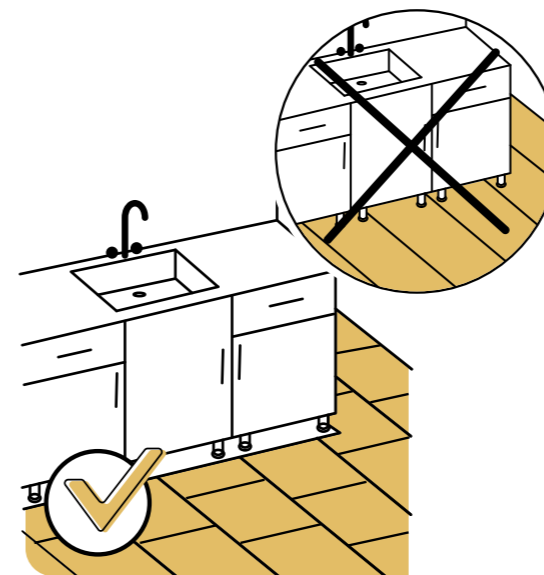
The use of dry vacuum cleaners is permitted.



For floor care, use products dedicated to vinyl flooring, according to product instructions. Use water.



Do not use steam vacuum cleaners.



Do not place or fix kitchen built-ins, kitchen islands or heavy objects (e.g., built-in cabinets) on the floor.

*The manufacturer considers the following rooms and conditions to be standard:

- Minimum temperature during transport and storage: 0 °C
- Minimum temperature during installation: +15 °C
- Minimum temperature during use: +6 °C
- Maximum temperature during transport and storage: +35 °C
- Maximum temperature during installation: +28 °C
- Maximum temperature during use: 35 °C
- Acclimatisation period: 24 h.
- Room size without expansion joints: wall-to-wall length max. 15 m

The manufacturer considers the following rooms and conditions to be extreme:

- Minimum temperature during transport and storage: 0 °C
- Minimum temperature during installation: +15 °C
- Minimum temperature during use: +0 °C
- Maximum temperature during transport and storage: +35 °C
- Maximum temperature during installation: +35 °C
- Maximum temperature during use: +60 °C
- Acclimatisation period: 24 hours if the temperature difference between the warehouse and the installation site is greater than 20 °C or less than 15 °C.
- Room size without expansion joints: wall-to-wall length max. 8 m

Profile VOX Sp. z o.o. sp. k.
ul. Gdyńska 143
62-004 Czerwonak
Poland